



OBM-4K IP SERIES

4K HDR Professional Broadcast IP 25GbE Monitors

Dual SFP 28 25GbE Network Support

ST 2110-20, 30, 40

ST 2022-7 Redundancy

NMOS IS-04 & 05 Support

2 x 12G SDI Single Link 4K

UHD 3840 x 2160 LCD panel Resolution

33 x 33 x 33 3D-LUT support

1.073 Billion Colors

17", 24", 32", 42"



OBM-4KIP series from postium is the true UHD and ST 2110 IP 25GbE broadcast & media monitor solution by featuring two 12G SDI, one HDMI® 2.0, one 1G RJ45, and two SFP28 ports. Postium's IP input monitor models provide high quality picture image reproduction and critical monitoring applications and deliver your IP solution workflow by supporting ST 2110 & ST 2022-7, PTP, NMOS IS-04, and NMOS IS-05 with Web UI



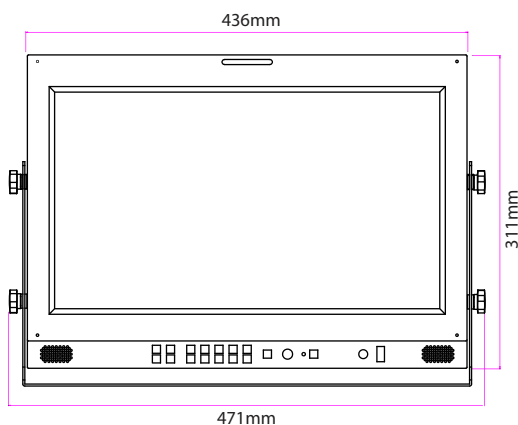
POSTIUM KOREA Co., Ltd.
www.postium.com



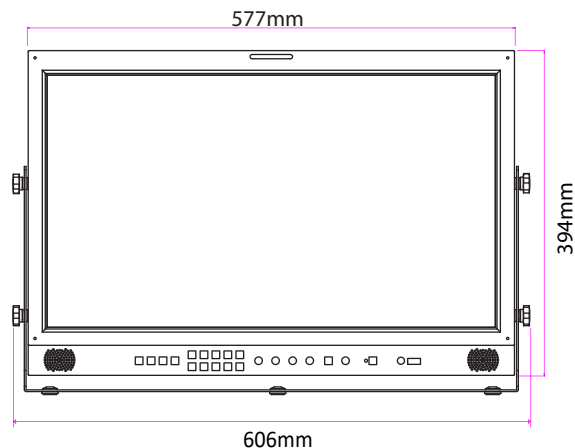
Product Highlights

- Dual SFP28 Module Inputs (10G & 25G network Support)
- ST2110 support protocol : 2110-20, 30, 40
- ST2022-7 redundancy
- NMOS control IS-04, IS-05 support
- PTP
- Web UI
- 2 x 12G-SDI Single Link 4K
- 1 x HDMI® 2.0 Input
- HDR(High Dynamic Range) Display supporting PQ (ST 2084), Hybrid Log Gamma, S-Log3
- Wide Color Gamut Supporting ITU-R BT.709, SMPTE-C, EBU, Native, DCI-P3, ITU-R BT.2020
- 1.073 Billion Colors
- Custom 3D LUT file Import Through USB
- Gamma Selection (1.0 ~ 3.0)
- SDR EOTF - BT.1886 (Gamma 2.4)
- Color Temperature (3200K, 5500K, 6500K, 9300K, USER 1/2/3, D-CINEMA)
- Monitor Control via Ethernet, RS-422
- Waveform, VectorScope (Wave + Vector)
- HDR Waveform
- Various Markers (EBU, 4:3, 16:9, 1.85:1, 2.35:1, Variable Custom)
- Zero Scan
- De-embedded 8~16ch Audio Level Meter
- Internal Pattern Display for Color Test (Black ~ 100% White, Color Bar)
- Remote Control via GPI(RJ-45) Port
- Easy Firmware Update by USB
- System Data Copy
- H/V Delay

OBM-U17IP



OBM-U24IP





Specifications

FUNCTION		OBM-U17IP	OBM-U24IP	OBM-U31IP	OBM-U42IP
Input	2 x BNC	12G/6G/3G/HD			
	1 x HDMI®	HDMI® 2.0			
	2 x SFP28	10G & 25G			
	1 x RJ45	1 GbE Network			
Output	2 x BNC	12G/6G/3G/HD			
Input Signal Format	SMPTE ST 2082	2160p(60/59.94/50)			
	SMPTE ST 2081	2160p(30/29.97/25/24/23.98)			
	SMPTE ST 425-AB	1080p(60/59.94/50/30/29.97/25/24/23.98/30sF/29.97sF/25sF/24sF/23.98sF) / 1080i (60/59.94/50)			
	SMPTE ST 274	1080p(30/29.97/25/24/23.98/24sF/23.98sF)			
		1080i (60/59.94/50)			
	SMPTE ST 296	720p(60/59.94/50)			
	SMPTE ST 260	1920 x 1035i(60/59.94)			
	SMPTE ST 2048	2048 x 1080p(24/23.98/24sF/23.98sF)			
	HDMI® 2.0	~ 2160p(60)			
	SMPTE ST 2110	ST2110 (20. 30. 40) ST2022-7			
Audio In/Out	1 x Phone Jack In	Line In(Stereo)			
	1 x Phone Jack Out	H/P Out(Front, Stereo)			
	2 x Speaker Out	Stereo	Stereo	Stereo	-
Display	Size	17.3" LCD	23.74" LCD	32" LCD	42.51" LCD
	Resolution	3840 x 2160 (16:9)	3840 x 2160 (16:9)	3840 x 2160 (16:9)	3840 x 2160 (16:9)
	Pixel Pitch	0.09945mm	0.1369mm	0.1845mm	0.2451mm
	Color	1.064B Colors(8bit+Hi FRC)	1.073B Colors, 10Bit	1.073B Colors, 10Bit	1.073B Colors, 10Bit
	Viewing Angle	178(H), 178(V)	178(H), 178(V)	178(H), 178(V)	178(H), 178(V)
	Luminance of White	1500cd/m ²	540cd/m ²	1000cd/m ²	700cd/m ²
	Contrast	1000 : 1	1200 : 1	1500 : 1	1000 : 1
	Display Area (H x V)	381.89 x 214.81 (mm)	525.65 x 295.70 (mm)	708.48 x 398.52 (mm)	941.184 x 529.416 (mm)
Control	1 x Ethernet	Control/Update, RJ-45P Input			
	1 x GPIO	GPI-7 Port, RJ-45P Jack			
	2 x Serial	RS-422 Jack, RJ-45P Input / Output			
	1 x USB	For Firmware Update, Color Calibration			
General	Power Requirements	AC(100-230V, 50/60Hz) DC 24V	AC(100-230V, 50/60Hz) DC 24V	AC(100-230V, 50/60Hz) DC 24V	AC(100-230V, 50/60Hz)
	Power Consumption	95W	97W	130W	170W
	Operating Temperature	0°C ~ 40°C(32°F~104°F)	0°C ~ 40°C(32°F~104°F)	0°C ~ 40°C(32°F~104°F)	0°C ~ 40°C(32°F~104°F)
	Operating Humidity	20% ~ 80% RH	20% ~ 80% RH	20% ~ 80% RH	20% ~ 80% RH
	Weight	8.5kg	10.5kg	17.8kg	32kg
	Dimension (swith stand)	471 x 329 mm	606 x 409 mm	762 x 512 mm	990 x 639 mm
	(W x H)	18.54 x 12.95 inch	23.85 x 16.10 inch	30 x 20.15 inch	38.97 x 25.15 inch
	Accessories	Power Cable			
Option	RMK / Carrying Case / Sun Hood/ Acrylic Protector / V-Mount		Wall Mount / Carrying Case		

* Specifications are subject to change without prior notice for the product quality improvement.

